



Technical Data Sheets

For Models:

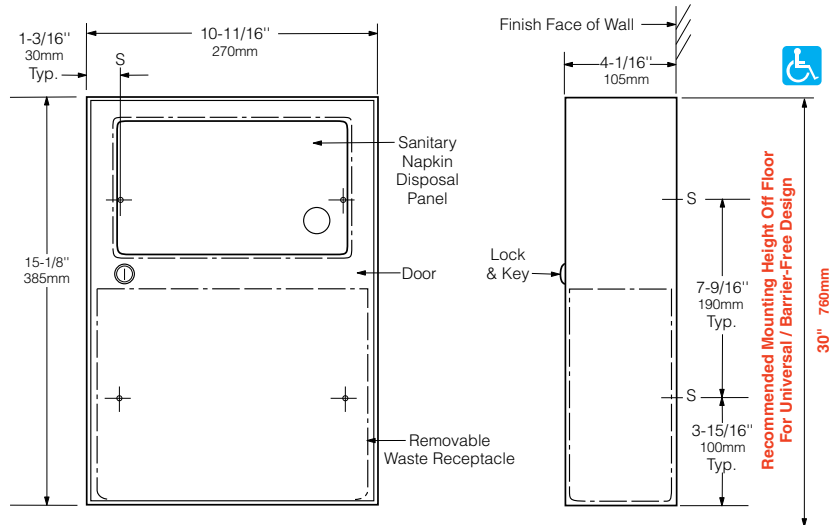
<u>Model Number / Description</u>	<u>File Name</u>
B-254 ClassicSeries® Surface-Mounted Sanitary Napkin Disposal	B-254.pdf
B-270 ConturaSeries® Surface-Mounted Sanitary Napkin Disposal	B-270.pdf
B-353 ClassicSeries® Sanitary Napkin Disposal	B-353.pdf
B-35303 TrimLine™ Series Recessed Sanitary Napkin Disposal	B-35303.pdf
B-354 ClassicSeries® Partition-Mounted Sanitary Napkin Disposal	B-354.pdf
B-3541 Surface-Mounted Sanitary Disposal Bag Dispenser	B-3541.pdf
B-4353 ConturaSeries® Recessed Sanitary Napkin Disposal	B-4353.pdf
B-4354 ConturaSeries® Partition-Mounted Sanitary Napkin Disposal	B-4354.pdf
B-5270 MatrixSeries™ Surface-Mounted Sanitary Napkin Disposal	B-5270.pdf



Technical Data

SURFACE-MOUNTED SANITARY NAPKIN DISPOSAL

B-254



MATERIALS:

Cabinet — 18-8 S, type-304, heavy-gauge stainless steel. All-welded construction. Exposed surfaces have satin finish.

Door — 18-8 S, type-304, 22-gauge (0.8mm) stainless steel with satin finish. Secured to cabinet with a full-length stainless steel piano-hinge. Equipped with a tumbler lock keyed like other Bobrick washroom accessories.

Disposal Panel — 18-8 S, type-304, 22-gauge (0.8mm) stainless steel with satin finish. Bottom edge hemmed for safety. Secured to door with a spring-loaded, full-length stainless steel piano-hinge. Equipped with an international graphic symbol identifying sanitary napkin disposal.

Waste Receptacle — Leak-proof, rigid molded polyethylene. Removable for servicing. Capacity: 1.2-gal. (4.6-L).

OPERATION:

Unit is equipped with a self-closing panel covering disposal opening. Napkin disposal is emptied by opening door with furnished key and removing waste receptacle. Disposable paper liners for the receptacle are available as an optional accessory: order Bobrick Part No. 353-12.

INSTALLATION:

For partitions with particle-board or other solid core, secure with four #8 x 1-1/4" (4.2 x 32mm) sheet-metal screws (not furnished), or provide through-bolts, nuts, and washers.

For hollow-core metal partitions, provide solid backing into which sheet-metal screws can be secured. If two units are installed back-to-back, then provide threaded sleeves and machine screws for the full thickness of partition.

For plaster or dry wall construction, provide concealed backing to comply with local building codes, then secure unit with #8 x 1-1/4" (4.2 x 32mm) sheet-metal screws.

For other wall surfaces, provide fiber plugs or expansion shields for use with #8 x 1-1/4" (4.2 x 32mm) sheet-metal screws, or provide 3/16" (5mm) toggle bolts or expansion bolts.

SPECIFICATION:

Surface-mounted sanitary napkin disposal shall be type-304 stainless steel with all-welded construction; exposed surfaces shall have satin finish. Door shall be secured to cabinet with a full-length stainless steel piano-hinge and equipped with a tumbler lock keyed like other Bobrick washroom accessories. Unit shall have a self-closing panel covering disposal opening. Panel shall have bottom edge hemmed for safety, be secured to door with a spring-loaded, full-length stainless steel piano-hinge, and equipped with an international graphic symbol identifying sanitary napkin disposal. Unit shall be furnished with a removable, leak-proof, rigid molded polyethylene receptacle. Receptacle shall have a capacity of 1.2-gal. (4.6-L). Manufacturer's service and parts manual shall be provided to the building owner/manager upon request.

Surface-Mounted Sanitary Napkin Disposal shall be Model B-254 of Bobrick Washroom Equipment, Inc., Clifton Park, New York; Jackson, Tennessee; Los Angeles, California; Bobrick Washroom Equipment Company, Scarborough, Ontario; Bobrick Washroom Equipment Pty. Ltd., Australia; and Bobrick Washroom Equipment Limited, United Kingdom.



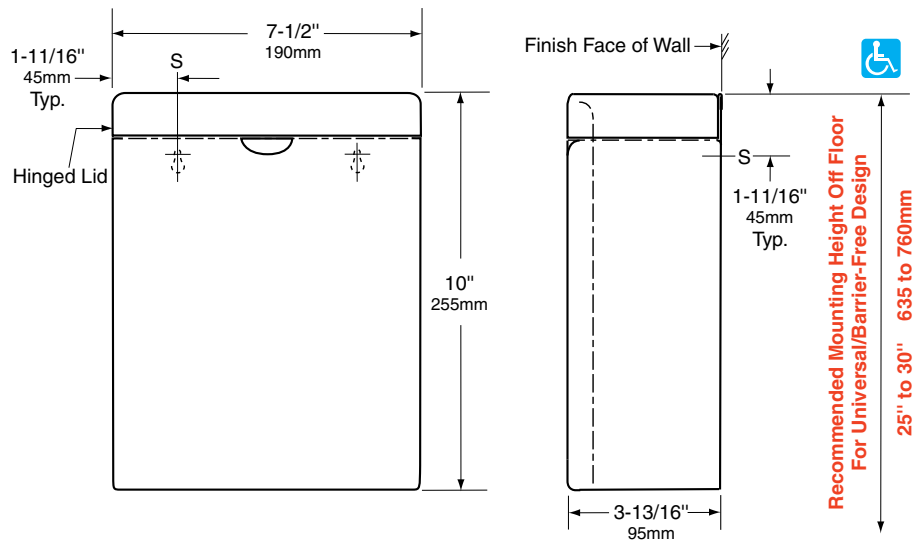
Technical Data

ConturaSeries® SURFACE-MOUNTED SANITARY NAPKIN DISPOSAL

B-270



Patented



MATERIALS:

Container — 18-8 S, type-304, 22-gauge (0.8mm) stainless steel. All-welded construction. Exposed surfaces have satin finish. Integral finger depression for opening cover. Front of container has same degree of arc as front of cover and other Bobrick ConturaSeries washroom accessories. Radius on side edges of container match corners and edges of cover and other ConturaSeries accessories.

Cover — 18-8 S, type-304, 22-gauge (0.8mm) stainless steel with satin finish. Drawn, one-piece, seamless construction. Front of cover has same degree of arc as front of container and other Bobrick Contura Series washroom accessories. Radius on corners and edges of cover match side edges of container and other Contura Series accessories. Secured to container with a full-length stainless steel piano-hinge.

OPERATION:

Cover flips up for disposal of sanitary napkins and for servicing container. Disposable paper liners for the container are available as an optional accessory: order Bobrick Part No. 270-12.

INSTALLATION:

For partitions with particle-board or other solid core, secure with two #8 x 3/4" (4.2 x 19mm) sheet-metal screws (not furnished) at all points indicated by an S, or provide through-bolts, nuts, and washers.

For hollow-core metal partitions, provide solid backing into which sheet-metal screws can be secured. If two units are installed back-to-back, then provide threaded sleeves and machine screws for the full thickness of partition.

For masonry walls, provide fiber plugs or expansion shields for use with sheet-metal screws, or provide 3/16" (5mm) toggle bolts or expansion bolts.

For plaster or dry wall construction, provide concealed backing to comply with local building codes, then secure unit with sheet-metal screws.

SPECIFICATION:

Surface-mounted sanitary napkin disposal shall be type-304 stainless steel with all-welded construction; exposed surfaces shall have satin finish. Front of sanitary napkin disposal shall have same degree of arc and match other Bobrick ConturaSeries® accessories in the washroom. Radius on corners and edges of sanitary napkin disposal shall complement other Bobrick ConturaSeries® washroom accessories. Cover shall be drawn, one-piece, seamless construction and secured to container with a full-length stainless steel piano-hinge. Container shall have integral finger depression for opening cover. Manufacturer's service and parts manual shall be provided to the building owner/manager upon request.

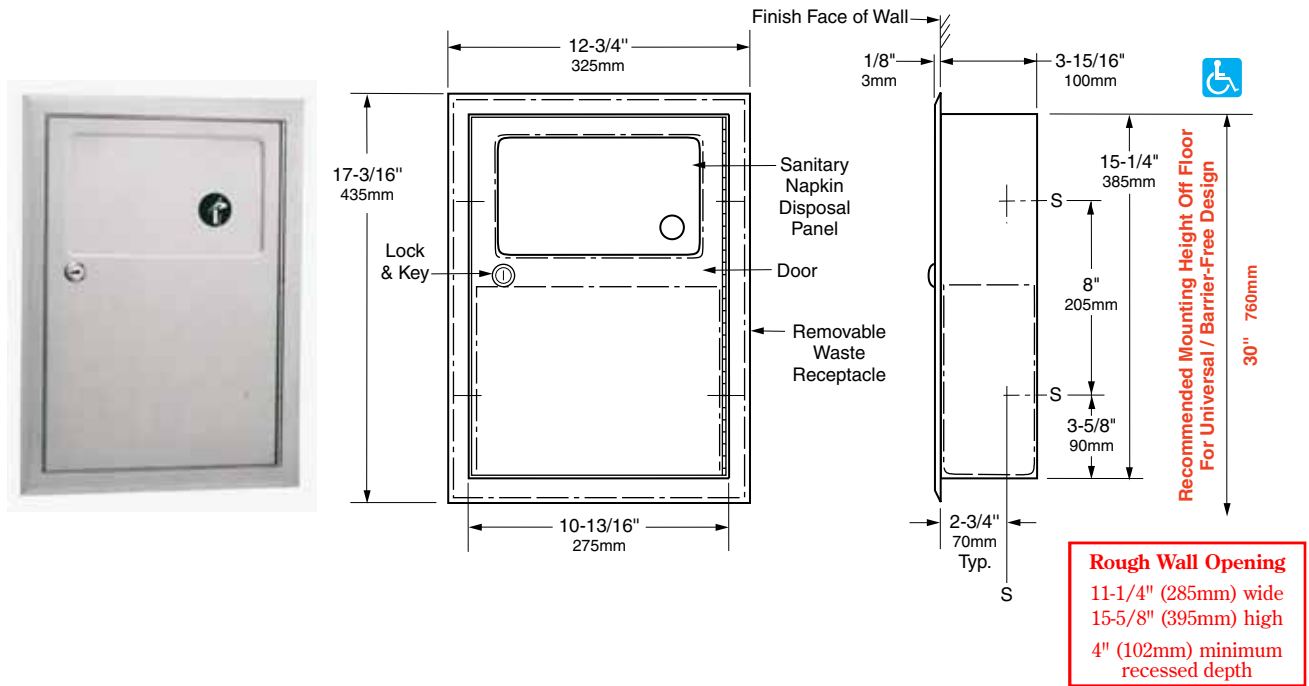
Surface-Mounted Sanitary Napkin Disposal shall be Model B-270 of Bobrick Washroom Equipment, Inc., Clifton Park, New York; Jackson, Tennessee; Los Angeles, California; Bobrick Washroom Equipment Company, Scarborough, Ontario; Bobrick Washroom Equipment Pty. Ltd., Australia; and Bobrick Washroom Equipment Limited, United Kingdom.



Technical Data

RECESSED SANITARY NAPKIN DISPOSAL

B-353



MATERIALS:

Cabinet — 18-8 S, type-304, heavy-gauge stainless steel. All-welded construction. Exposed surfaces have satin finish.

Flange — 18-8 S, type-304, 22-gauge (0.8mm) stainless steel with satin finish. Drawn and beveled, one-piece, seamless construction.

Door — 18-8 S, type-304, 22-gauge (0.8mm) stainless steel with satin finish. Secured to cabinet with a full-length stainless steel piano-hinge. Equipped with a tumbler lock keyed like other Bobrick washroom accessories.

Disposal Panel — 18-8 S, type-304, 22-gauge (0.8mm) stainless steel with satin finish. Bottom edge hemmed for safety. Secured to door with a spring-loaded, full-length stainless steel piano-hinge. Equipped with an international graphic symbol identifying sanitary napkin disposal.

Waste Receptacle — Leak-proof, rigid molded polyethylene. Removable for servicing. Capacity: 1.2-gal. (4.6-L).

OPERATION:

Unit is equipped with a self-closing panel covering disposal opening. Napkin disposal is emptied by opening door with furnished key and removing waste receptacle. Disposable paper liners for the receptacle are available as an optional accessory: order Bobrick Part No. 353-12.

INSTALLATION:

Provide framed rough wall opening 11-1/4" wide x 15-5/8" high (285 x 395mm). Minimum recessed depth required from finish face of wall is 4" (102mm). Allow clearance for construction features that may protrude into rough wall opening from opposite wall. Coordinate with mechanical engineer to avoid pipes, vents, and conduits. Mount unit in wall opening with shims between framing and cabinet at all points indicated by an S, then secure unit with four #8 x 1-1/4" (4.2 x 32mm) sheet-metal screws (not furnished).

SPECIFICATION:

Recessed sanitary napkin disposal shall be type-304 stainless steel with all-welded construction; exposed surfaces shall have satin finish. Door shall be secured to cabinet with a full-length stainless steel piano-hinge and equipped with a tumbler lock keyed like other Bobrick washroom accessories. Unit shall have a self-closing panel covering disposal opening. Panel shall have bottom edge hemmed for safety, be secured to door with a spring-loaded, full-length stainless steel piano-hinge, and equipped with an international graphic symbol identifying sanitary napkin disposal. Unit shall be furnished with a removable, leak-proof molded polyethylene receptacle. Receptacle shall have a capacity of 1.2-gal. (4.6-L). Manufacturer's service and parts manual shall be provided to the building owner/manager upon request.

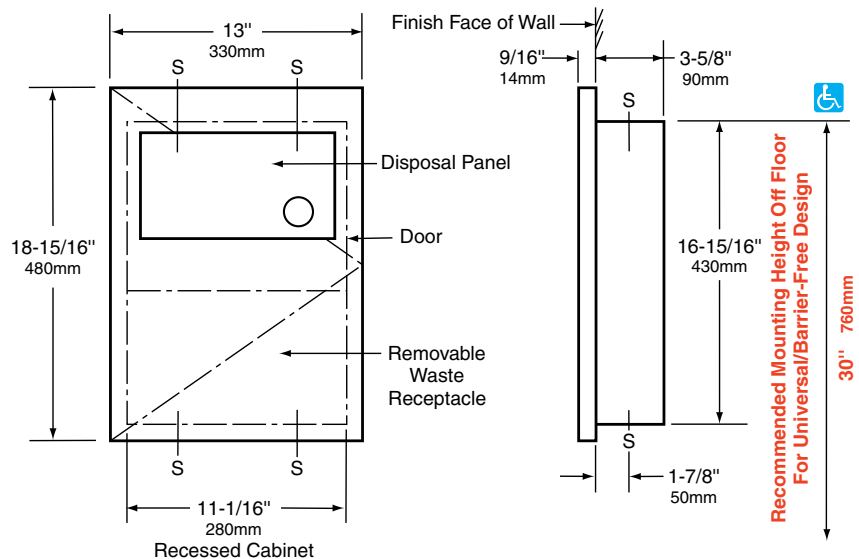
Recessed Sanitary Napkin Disposal shall be Model B-353 of Bobrick Washroom Equipment, Inc., Clifton Park, New York; Jackson, Tennessee; Los Angeles, California; Bobrick Washroom Equipment Company, Scarborough, Ontario; Bobrick Washroom Equipment Pty. Ltd., Australia; and Bobrick Washroom Equipment Limited, United Kingdom.



Technical Data

RECESSED SANITARY NAPKIN DISPOSAL

B-35303



Rough Wall Opening
 11-1/2" (290mm) wide
 17-1/4" (440mm) high
 3-3/4" (95mm) minimum
 recessed depth

MATERIALS:

Cabinet — 18-8 S, type-304, stainless steel. All-welded construction.

Door — 18-8 S, type-304, 18-gauge (1.2mm) stainless steel with satin finish. 9/16" (14mm) 90° return for maximum rigidity. Secured to cabinet with a concealed, full-length stainless steel piano-hinge.

Disposal Panel — 18-8 S, type-304, 22-gauge (0.8mm) stainless steel with satin finish. Secured to door with a concealed, full-length stainless steel piano-hinge. Self-closing panel has international graphic symbol identifying napkin disposal.

Waste Receptacle — Leak-proof rigid molded polyethylene. Removable for servicing. Capacity: 1.2-gal. (4.6-L).

OPERATION:

Unit is equipped with self-closing panel covering disposal opening. Napkin disposal is emptied by opening door and removing waste receptacle. Disposable paper liners for napkin receptacle are available as optional accessory: order Bobrick Part No. 353-12.

INSTALLATION:

Provide framed rough wall opening 11-1/2" wide x 17-1/4" high (290 x 440mm). Minimum recessed depth required to finish face of wall is 3-3/4" (95mm). Allow for construction features that may protrude into rough wall opening from opposite wall. Coordinate with mechanical engineer to avoid pipes, vents, and conduits. If unit projects above top of wainscot, provide aluminum channel or other filler to eliminate gap between flange and finish face of wall. Mount unit in wall opening with shims between framing and cabinet at all points indicated by an S, then secure unit with #8 x 1-1/4" (4.2 x 32mm) sheet-metal screws (not furnished).

SPECIFICATION:

Recessed sanitary napkin disposal shall be type-304 stainless steel with all-welded construction; exposed surfaces shall have satin finish. Door shall have 9/16" (14mm) 90° return and be equipped with a concealed, full-length stainless steel piano-hinge. Napkin disposal shall have self-closing stainless steel panel covering receptacle opening. Panel shall be equipped with full-length stainless steel piano-hinge and international graphic symbol identifying napkin disposal. Unit shall be furnished with a removable, leakproof, molded polyethylene receptacle. Receptacle shall have a capacity of 1.2-gal. (4.6-L). Manufacturer's service and parts manual shall be provided to the building owner/manager upon request.

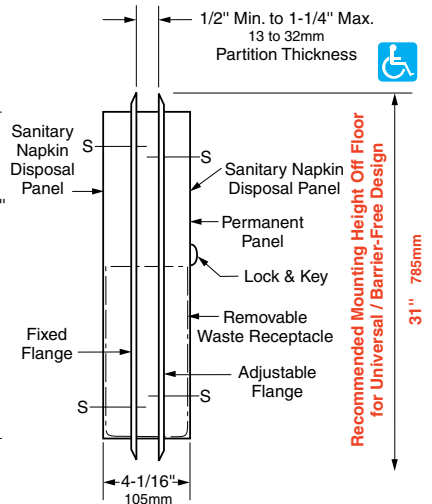
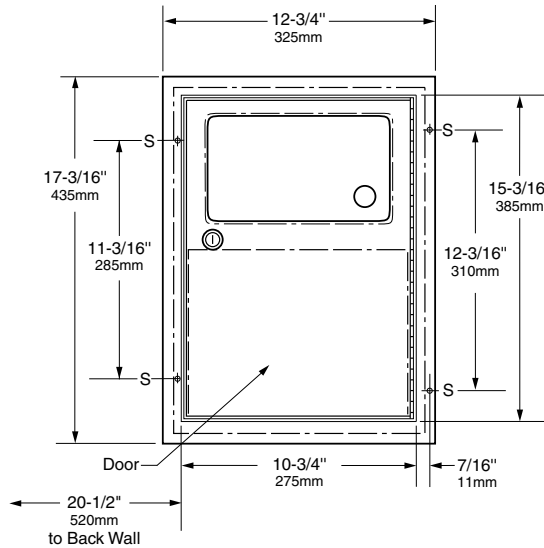
Recessed Sanitary Napkin Disposal shall be Model B-35303 of Bobrick Washroom Equipment, Inc., Clifton Park, New York; Jackson, Tennessee; Los Angeles, California; Bobrick Washroom Equipment Company, Scarborough, Ontario; Bobrick Washroom Equipment Pty. Ltd., Australia; and Bobrick Washroom Equipment Limited, United Kingdom.



Technical Data

**PARTITION-MOUNTED
SANITARY NAPKIN
DISPOSAL**
(SERVES TWO TOILET COMPARTMENTS)

B-354



Rough Partition Cutout
11" (280mm) wide
15-1/2" (395mm) high
1/2" to 1-1/4" (13 to 32mm)
partition thickness

MATERIALS:

Cabinet — 18-8 S, type-304, heavy-gauge stainless steel. All-welded construction. Exposed surfaces have satin finish.

Flanges (2) — 18-8 S, type-304, 22-gauge (0.8mm) stainless steel with satin finish. Drawn and beveled, one-piece, seamless construction.

Door — 18-8 S, type-304, 22-gauge (0.8mm) stainless steel with satin finish. Secured to cabinet with a full-length stainless steel piano-hinge. Equipped with a tumbler lock keyed like other Bobrick washroom accessories.

Disposal Panels (2) — 18-8 S, type-304, 22-gauge (0.8mm) stainless steel with satin finish. Bottom edges hemmed for safety. Secured to door and permanent panel with spring-loaded, full-length stainless steel piano-hinges. Equipped with international graphic symbols identifying sanitary napkin disposal.

Waste Receptacle — Leak-proof, rigid molded polyethylene. Removable for servicing. Capacity: 1.2-gal. (4.6-L).

OPERATION:

Unit is equipped with a self-closing panel covering each disposal opening. Napkin disposal is emptied by opening door with furnished key and removing waste receptacle. Disposable paper liners for the receptacle are available as an optional accessory: order Bobrick Part No. 353-12.

continued . . .

INSTALLATION:

Mounts in toilet partition 1/2" to 1-1/4" (13 x 32mm) thick, centered through a cutout specially ordered from partition manufacturer or field cut. Dimensions of cutout are to be 11" wide x 15-1/2" high (280 x 395mm). For factory-made cutouts, location and size details should be furnished to partition manufacturer. For hollow-core metal partitions, solid framing into which mounting sheet-metal screws can be secured is required.

For installation with sheet-metal screws furnished, place unit firmly in partition opening, making sure the entire perimeter of fixed flange is tight against partition surface, then secure to partition with sheet-metal screws furnished, through four holes in fixed flange at points indicated by an S. On other side of partition, position adjustable flange so the mounting screw holes are not inline with mounting screw holes in fixed flange. Make sure the entire perimeter of adjustable flange is tight against partition surface, then secure with sheet-metal screws furnished.

For through-bolting method of installation, make sure that mounting holes in adjustable flange are inline with holes in fixed flange. Using adjustable flange as template for locating centers, drill 7/32" or 1/4" (5.5 or 6.4mm) holes through partition. Provide four binder post and #6 (3.5mm) flat-head sheet-metal screws to secure unit and its adjustable flange. Obtain binder posts and sheet-metal screws by ordering Bobrick Binder Post Kit No. 354-119 for partitions 1/2" (13mm) thick or Kit No. 354-124 for partitions 3/4" to 1-1/4" (19 to 32mm) thick.

Designer's Note: Cutouts in Bobrick toilet partitions can be pre-cut for Bobrick partition-mounted accessories at factory if location and size of cutouts are specified and the order for both partitions and accessories are received together.

SPECIFICATION:

Partition-mounted sanitary napkin disposal shall be type-304 stainless steel with all-welded construction; exposed surfaces shall have satin finish. Flanges shall be drawn and beveled, one-piece seamless construction. Unit shall mount in partition and serve two toilet compartments. Door shall be secured to cabinet with a full-length stainless steel piano-hinge and equipped with a tumbler lock keyed like other Bobrick washroom accessories. Unit shall have a self-closing panel covering each disposal opening. Panels shall have bottom edges hemmed for safety, be secured to door with spring-loaded, full-length stainless steel piano-hinges, and equipped with international graphic symbols identifying sanitary napkin disposal. Unit shall be furnished with a removable, leak-proof molded polyethylene receptacle. Receptacle shall have a capacity of 1.2-gal. (4.6-L). Manufacturer's service and parts manual shall be provided to the building owner/manager upon request.

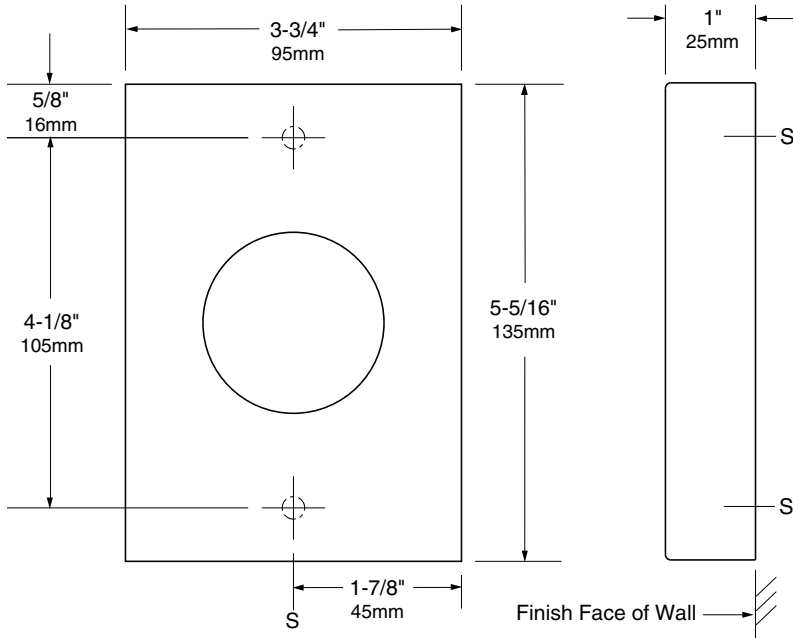
Partition-Mounted Sanitary Napkin Disposal shall be Model B-354 of Bobrick Washroom Equipment, Inc., Clifton Park, New York; Jackson, Tennessee; Los Angeles, California; Bobrick Washroom Equipment Company, Scarborough, Ontario; Bobrick Washroom Equipment Pty. Ltd., Australia; and Bobrick Washroom Equipment Limited, United Kingdom.



Technical Data

SURFACE-MOUNTED SANITARY DISPOSAL BAG DISPENSER

B-3541



MATERIALS:

Cover – 18-8 S, type-304, 22-gauge (0.8mm) stainless steel with satin finish.

Wall Plate – 18-8 S, type-304, 22-gauge (0.8mm) stainless steel.

OPERATION:

Sanitary disposal bag pulls out. Cover snaps off for filling. Capacity: one sanitary disposal box.

INSTALLATION:

- For partitions with particle-board or other solid core, secure with two #8 x 1/2" (M4.2 x 12.5mm) sheet-metal screws (not furnished) at all points indicated by an S, or provide through-bolts, nuts, and washers.
- For hollow-core metal partitions, provide solid backing into which sheet-metal screws can be secured. If two units are installed back-to-back, then provide threaded sleeves and machine screws for the full thickness of partition.
- For masonry walls, provide fiber plugs or expansion shields for use with sheet-metal screws, or provide 3/16" (5mm) toggle bolts or expansion bolts.
- For plaster or dry wall construction, provide concealed backing to comply with local building codes, then secure unit with sheet-metal screws.

SPECIFICATION:

Surface-mounted sanitary disposal bag dispenser shall be type-304 stainless steel. Exposed surfaces shall have satin finish. Cover shall snap off wall plate for refilling. Unit shall have a capacity of one sanitary disposal bag box.

Surface-Mounted Sanitary Disposal Bag Dispenser shall be Model B-3541 of Bobrick Washroom Equipment, Inc. Clifton Park, New York; Jackson, Tennessee; Los Angeles, California; Bobrick Washroom Equipment Company, Scarborough Ontario; Bobrick Washroom Equipment Pty. Ltd., Australia; and Bobrick Washroom Equipment Limited, United Kingdom.



Technical Data

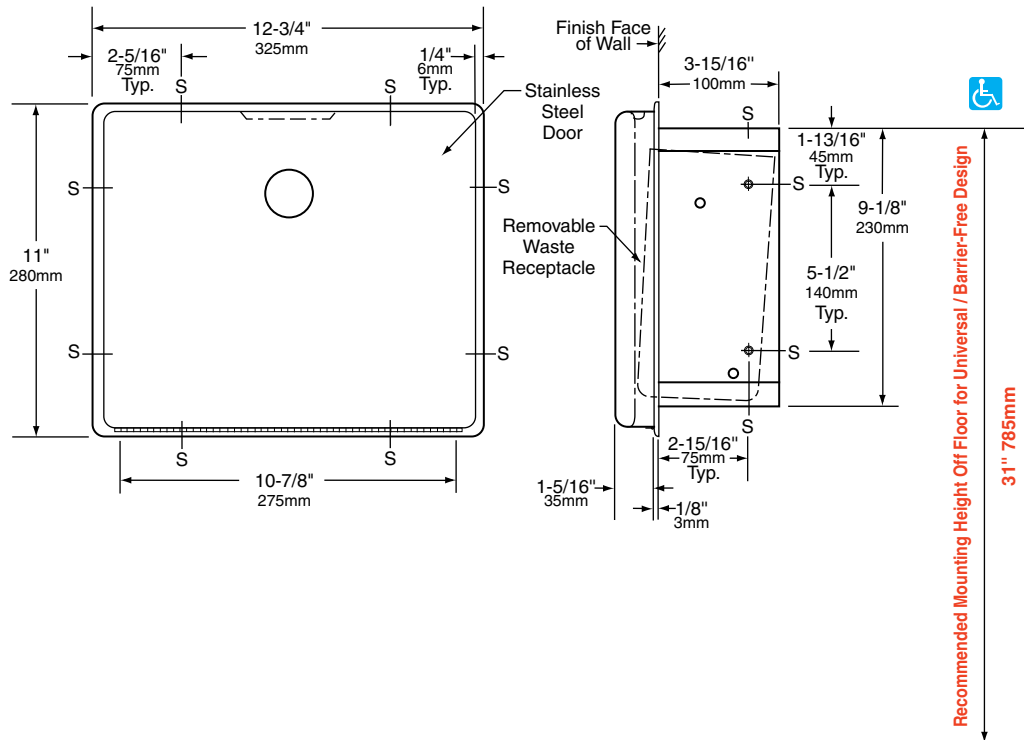
**ConturaSeries®
RECESSED SANITARY
NAPKIN DISPOSAL**

B-4353



Patented

Rough Wall Opening
11-1/4" (285mm) wide
9-1/2" (240mm) high
4" (102mm) minimum
recessed depth



MATERIALS:

Cabinet — 18-8 S, type-304, 22-gauge (0.8mm) stainless steel. All-welded construction. Exposed surfaces have satin finish.

Flange — 18-8 S, type-304, 22-gauge (0.8mm) stainless steel with satin finish. Drawn, one-piece, seamless construction. Radius on corners and return edges complement corners and edges of door.

Door — 18-8 S, type-304, 22-gauge (0.8mm) stainless steel with satin finish. Drawn, one-piece, seamless construction. Front of door has same degree of arc as other Bobrick ConturaSeries washroom accessories. Radius on corners and edges of door complement other ConturaSeries accessories. Self-closing door is secured to cabinet with a spring-loaded, full-length stainless steel piano-hinge at bottom. Equipped with two stainless steel cable door-swing limiters, two hooks for retaining receptacle, a finger-pull recess at top for easy opening, and an international graphic symbol identifying sanitary napkin disposal.

Receptacle — Leak-proof molded polyethylene. Removable for servicing. Equipped with two slots for hanging on door hooks. Capacity: 1.2-gal. (4.6L).

continued . . .

OPERATION:

For side wall of single toilet compartment. Self-closing door pulls down for access to disposal with less than 5 pounds of force (22.2 N) to comply with barrier-free accessibility guidelines (including ADAAG in U.S.A.). Receptacle is removable for servicing. Cable door-swing limiters prevent damage to washroom accessories and walls. Disposable paper liners for sanitary napkin receptacle are available from Bobrick as an optional accessory; order Part No. 353-12.

INSTALLATION:

Provide framed rough wall opening 11-1/4" wide x 9-1/2" high (285 x 240mm). Minimum recessed depth required from finish face of wall is 4" (102mm). Allow clearance for construction features that may protrude into rough wall opening from opposite wall. Coordinate with mechanical engineer to avoid pipes, vents, and conduits. If unit projects above top of wainscot, provide aluminum channel or other filler to eliminate gap between flange and finish face of wall. Mount unit in wall opening with shims between framing and cabinet at all points indicated by an S, then secure unit with #8 x 1-1/4" (4.2 x 32mm) sheet-metal screws (not furnished by manufacturer).

SPECIFICATION:

Recessed sanitary napkin disposal shall be type-304 stainless steel with all-welded construction; exposed surfaces shall have satin finish. Front of sanitary napkin disposal door shall have same degree of arc and match other Bobrick ConturaSeries® accessories in the washroom. Radius on corners and edges of flange and door shall complement other Bobrick ConturaSeries® washroom accessories. Flange shall be drawn, one-piece, seamless construction. Self-closing door shall be drawn, one-piece, seamless construction; secured to cabinet with a spring-loaded, full-length stainless steel piano-hinge; and equipped with two stainless steel cable door-swing limiters, two hooks for retaining receptacle, a finger-pull recess at top for easy opening, and an international graphic symbol identifying sanitary napkin disposal. Door shall pull down with less than 5 pounds of force (22.2 N) to comply with barrier-free accessibility guidelines (including ADAAG in U.S.A.). Unit shall be furnished with a removable, leak-proof, molded polyethylene receptacle. Receptacle shall have a capacity of 1.2-gal. (4.6-L). Manufacturer's service and parts manual shall be provided to the building owner/manager upon request.

Recessed Sanitary Napkin Disposal shall be Model B-4353 of Bobrick Washroom Equipment, Inc., Clifton Park, New York; Jackson, Tennessee; Los Angeles, California; Bobrick Washroom Equipment Company, Scarborough, Ontario; Bobrick Washroom Equipment Pty. Ltd., Australia; and Bobrick Washroom Equipment Limited, United Kingdom.



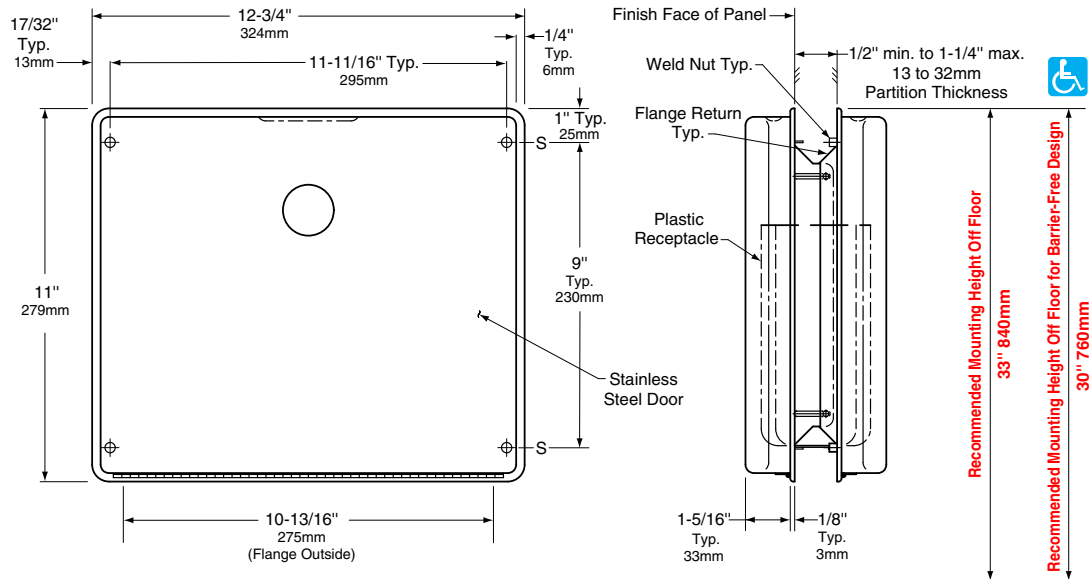
Technical Data

**ConturaSeries®
PARTITION-MOUNTED
SANITARY NAPKIN DISPOSAL
(FOR TWO TOILET COMPARTMENTS)**

B-4354



Rough Partition Cutout
11" (280mm) wide
9-3/8" (240mm) high
1/2" to 1-1/4" (13 to 32mm)
partition thickness



MATERIALS:

Flanges (2) — 18-8 S, type-304, 22-gauge (0.8mm) stainless steel with satin finish. Drawn, one-piece, seamless construction. Radius on corners and return edges complement corners and edges of door. One flange has four mounting screw holes for through-panel mounting. Other flange has four stainless steel weld-nuts to accept mounting screw threads.

Doors (2) — 18-8 S, type-304, 22-gauge (0.8mm) stainless steel with satin finish. Drawn, one-piece, seamless construction. Front of doors have same degree of arc as other Bobrick Contura Series washroom accessories. Radius on corners and edges of door match other Contura Series accessories. Self-closing door is secured to flange with a full-length stainless steel piano-hinge at bottom. Each door is equipped with two stainless steel cable door-swing limiters, a finger-pull recess at top for easy opening, and an international graphic symbol identifying sanitary napkin disposal.

Receptacle — Leak-proof molded polyethylene. Removable for servicing. Capacity: 0.7-gal. (2.7-L).

Sight-Barrier — 1/8" (3mm) thick ABS plastic. Attached to flange with two stainless steel piano-hinges.

continued . . .

OPERATION:

Serves two toilet compartments. Self-closing doors pull down for access to disposal with less than 5 pounds of force (22.2 N) to comply with barrier-free accessibility guidelines (including ADAAG in U.S.A.). Receptacle is removable from either side of unit for servicing. Cable door-swing limiters prevent damage to washroom accessories and walls. Hanging sight-barrier swings out of the way when waste is deposited in receptacle and when removing receptacle from unit for servicing.

INSTALLATION:

Mount unit in toilet partition 1/2" to 1-1/4" (13 to 32mm) thick, centered through a cutout specially ordered from partition manufacturer or field cut. Dimensions of cutout are to be 11" wide x 9-3/8" high (280 x 240mm). For factory-made cutouts, location and size details must be furnished to partition manufacturer.

Note: Cutouts in Bobrick laminated plastic toilet partitions can be pre-cut for Bobrick partition-mounted accessories at factory if location and size of cutouts are specified and order for both partitions and accessories are received together.

For installation with machine screws furnished by manufacturer, place the door assembly with four mounting holes in the flange firmly in one side of the partition cutout. Use the flange as a template to mark mounting hole locations, indicated by an S, then drill (4) 5/16" (7.9mm) diameter holes through the partition. Place the door assembly with four weld-nuts on the rear of the flange on the opposite side of partition, making sure the weld-nuts go into the mounting holes in partition. Secure the door assemblies together, back-to-back, using screws furnished, tightening screws until flanges are flush with and tight against partition surface. For installation in 1/2" (13mm) thick partitions, use short screws furnished. For installation in 1" (25mm) thick partitions, use long screws furnished. For other panel thicknesses, provide screws as needed. Screw length to be the same as the panel thickness.

Attach loose ends of cable door-swing limiters to opposite weld-studs in second door using two hex lock-nuts furnished by manufacturer. Ends of door-swing limiters must rotate freely around weld-studs. Attach door-return springs to spring-retainer brackets at inside bottom of doors, both left and right sides. Place end of spring wire through hole in spring-retainer bracket with end of spring wire facing toward the outside of the unit. Attach the other end of the spring to the spring-retainer bracket of the door on the opposite side of the panel in the same manner. Repeat this procedure for the second spring on the other side of the unit.

SPECIFICATION:

Partition-mounted sanitary napkin disposal shall be type-304 stainless steel with all-welded construction; exposed surfaces shall have satin finish. Unit shall mount in partition and serve two toilet compartments. Front of sanitary napkin disposal doors shall have same degree of arc and match other Bobrick ConturaSeries® accessories in the washroom. Radius on corners and edges of flanges and doors shall complement other Bobrick ConturaSeries® washroom accessories. Flanges shall be drawn, one-piece, seamless construction. Each self-closing door shall be drawn, one-piece, seamless construction; secured to flange with a full-length stainless steel piano-hinge; and equipped with two stainless steel cable door-swing limiters, a finger-pull recess at top for easy opening, and an international graphic symbol identifying sanitary napkin disposal. Doors shall pull down with less than 5 pounds of force (22.2 N) to comply with barrier-free accessibility guidelines (including ADAAG in U.S.A.). Unit shall be furnished with a removable, leak-proof, molded polyethylene receptacle that is serviced from either side of unit. Receptacle shall have a capacity of 0.7-gal. (2.7-L). Unit is furnished with a hanging sight-barrier, secured to flange with two stainless steel piano-hinges, which swings out of the way when waste is deposited in receptacle and when removing receptacle from unit for servicing. Manufacturer's service and parts manual shall be provided to the building owner/manager upon request.

Partition-Mounted Sanitary Napkin Disposal shall be Model B-4354 of Bobrick Washroom Equipment, Inc., Clifton Park, New York; Jackson, Tennessee; Los Angeles, California; Bobrick Washroom Equipment Company, Scarborough, Ontario; Bobrick Washroom Equipment Pty. Ltd., Australia; and Bobrick Washroom Equipment Limited, United Kingdom.



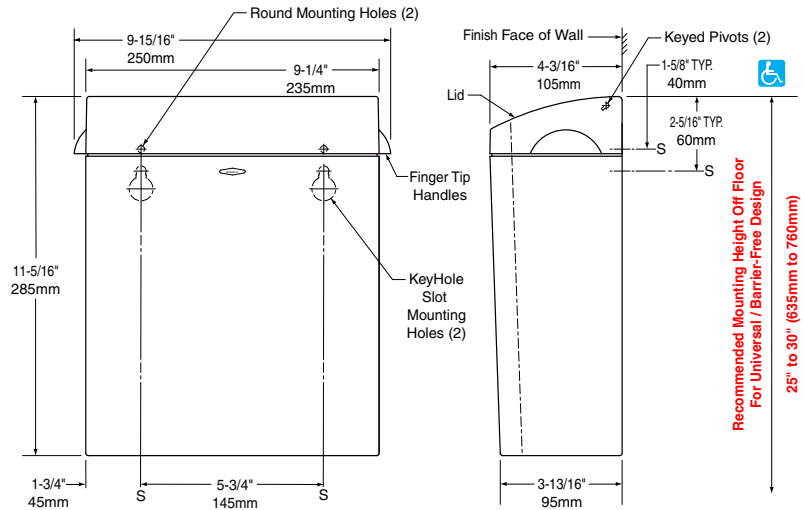
Technical Data

MatrixSeries™ SURFACE-MOUNTED SANITARY NAPKIN DISPOSAL

B-5270



Patented



MATERIALS:

Container — Durable, high-impact grey ABS with high-gloss finish on exposed surfaces. Front of container has same degree of arc as front of lid and other Bobrick MatrixSeries washroom accessories. Radius on corners and edges of container complement corners and edges of lid and other MatrixSeries accessories. Capacity: 1.3-gal. (4.8-L).

Lid — Durable, high-impact grey ABS with high-gloss finish on exposed surfaces. Fingertip handles for opening lid. Front of lid has same degree of arc as front of container and other Bobrick MatrixSeries washroom accessories. Radius on corners, edges and top of lid complement corners and edges of container and other MatrixSeries accessories. Secured to container with keyed pivots.

OPERATION:

Lid flips up for disposal of sanitary napkins and for servicing container. Disposable paper liners for the container are available as an optional accessory: order Bobrick Part No. 270-12 (case of 1000 paper liners).

INSTALLATION:

For permanent installation, use upper round mounting holes. Mount unit with two sheet metal screws, furnished by manufacturer, at points indicated by an S.

For installation where the entire unit may be removed from wall for emptying and cleaning, use lower keyhole slot mounting holes. Using the container as a template, mark the location of the keyhole slots indicated by an S. Mount plastic bushings with screws furnished by manufacturer. Container then snaps over bushings to hold unit in place.

For plaster or dry wall construction, provide concealed backing to comply with local building codes, then secure unit with sheet-metal screws furnished by manufacturer.

For masonry walls, provide fiber plugs or expansion shields for use with sheet-metal screws furnished by manufacturer, or provide 3/16" (4.8mm) toggle bolts or expansion bolts.

For partitions with particle board or other solid core, secure with two sheet-metal screws (not furnished), or provide through-bolts, nuts, and washers.

For hollow-core metal partitions, provide solid backing into which sheet-metal screws (not furnished) can be secured. If two units are installed back-to-back, then provide threaded sleeves and machine screws for the full thickness of partition.

SPECIFICATION:

Surface-mounted sanitary napkin disposal shall be durable, high-impact grey ABS with high-gloss finish on exposed surfaces. Front of sanitary napkin disposal shall have same degree of arc and complement other MatrixSeries™ accessories in the washroom. Radius on corners, edges and top of sanitary napkin disposal shall complement other Bobrick MatrixSeries™ washroom accessories. Container shall have a capacity of 1.3-gal. (4.8-L). Lid shall be secured to container with keyed pivots. Lid shall have fingertip handles. Replacement part numbers shall be molded into unit. Manufacturer's service and parts manual shall be provided to the building owner/manager upon request.

Surface-Mounted Sanitary Napkin Disposal shall be Model B-5270 of Bobrick Washroom Equipment, Inc., Clifton Park, New York; Jackson, Tennessee; Los Angeles, California; Bobrick Washroom Equipment Company, Scarborough, Ontario; Bobrick Washroom Equipment Pty. Ltd., Australia; and Bobrick Washroom Equipment Limited, United Kingdom.